

## Technical Information

No. 5588

Edition: 04/08 - subject to change

Substitutes: new

Status: valid



## Xenon Short Arc Lamp

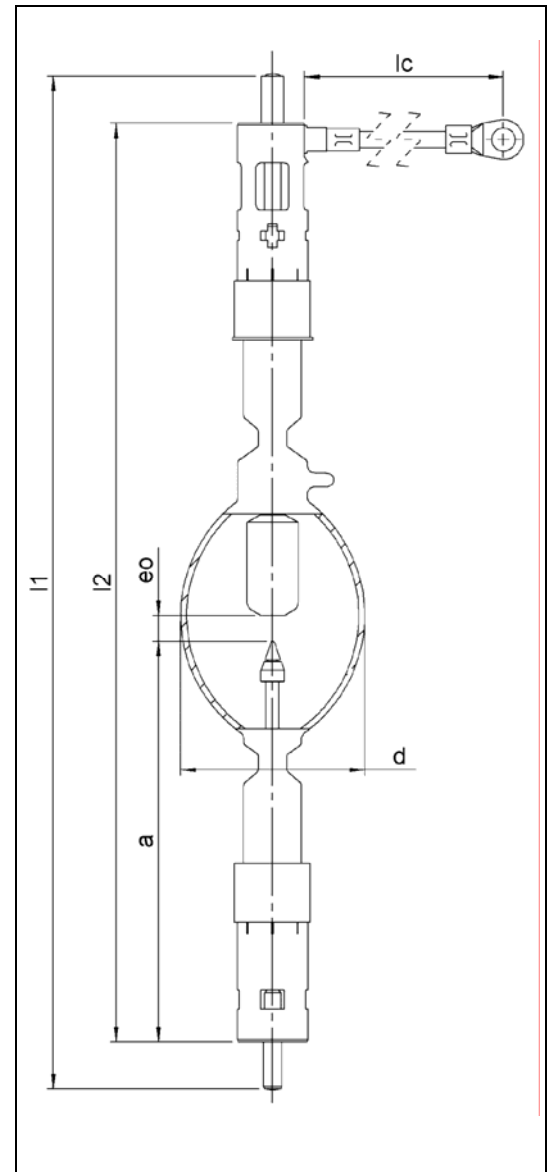
# XBO<sup>®</sup> 7000 W/HS XL OFR

### ■ Product description

The OSRAM XBO<sup>®</sup> 7000 W/HS XL OFR is a DC-operated lamp, developed with the latest high brightness technology for XBO lamps. The XL lamps, which stands for Xtreme life, are strictly optimized on performance and have an increased warranty up to 50%.

### ■ Technical data

Order reference	XBO <sup>®</sup> 7000W/HS XL OFR
Rated lamp wattage	W 7000
Rated lamp voltage	V 42
Rated lamp current (=)	A 160
Current control range	A 110 - 165
Ignition voltage (cold / hot)	kV <sub>s</sub> 44
Min. Open circuit voltage for cold/hot ignition	V 85 / 110
Luminous flux	lm 350000
Luminous intensity	cd 35000
Average luminance	cd/cm <sup>2</sup> 100000
Luminous area	mm 2,6 x 9,0
Lamp length (overall) l <sub>1</sub>	mm max. 436
Lamp length l <sub>2</sub>	mm max. 393
Bulb diameter d <sub>1</sub>	mm 78
LCL a	mm 170,5
Electrode gap e (cold)	mm 11
<b>Warranty</b>	<b>h 650</b>
Base	Cathode: SFa 30-7,9 Anode: SFaX 30-9,5
Cable length l <sub>c</sub>	mm 400



### ■ Lamp operation

Maximum permissible base temperature	°C 230
Forced cooling required	m/s 6 = min. air flow velocity around discharge tube
Burning position	vertical and horizontal ± 15°; s 15 and p 15
Magnetic arc stabilization	required in horizontal burning position